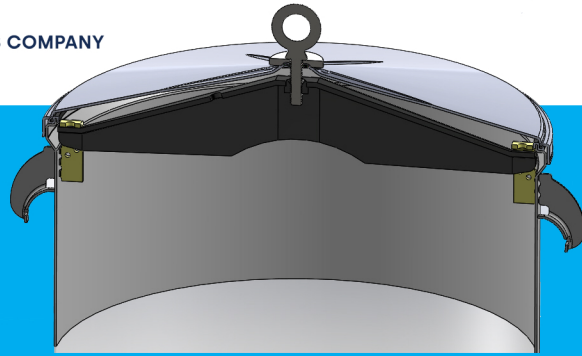


EZ Lift Eyebolt



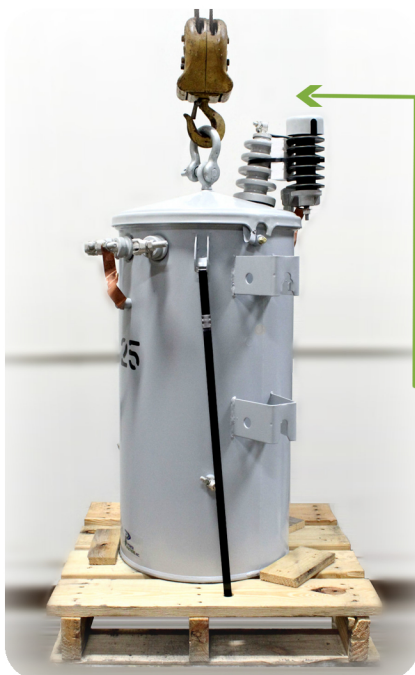
EZ Lift Eyebolt lifts the unit by the beam!

Power Partners introduces the EZ Lift Eyebolt, which saves time & money for customers by allowing transformers 1,000 lbs and less to be lifted by the center bolt.

Old Method



The EZ Lift Eyebolt increases the vertical clearance between lift points and high voltage lines, for added safety.



New Method



EZ Lift Eyebolt

SAFETY

1. Application: 1,000 pounds and below.
2. Exceeds IEEE safety rating of 5 to 1.
3. Creates a safer & quicker connection point.
4. Increases vertical clearance between lift points and high voltage lines, for added safety.

SAVE TIME & MONEY

- » Allows lifting of unit with the pallet attached.
- » Makes rotating unit while suspended easier.
- » Reduces lifting strap usage.
- » No touching of straps against HV bushings.
- » Balancing straps no longer needed.



A SPIRE POWER SOLUTIONS COMPANY